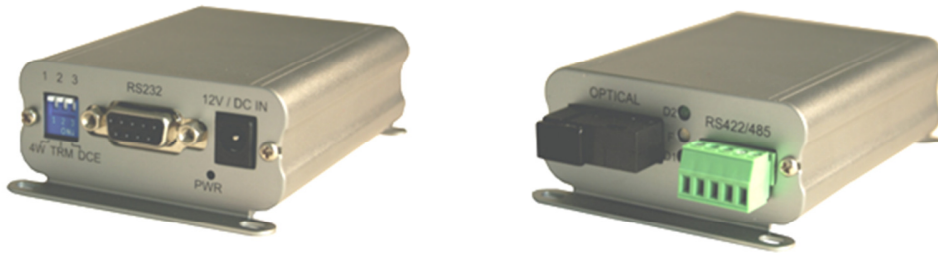


FS-120

Serial to Optical Data Converter



OVERVIEW

FS-120 is a media converter that can convert one RS-232 and/or one RS-422/485 ports to be transmitted over a single fiber or two fibers. A DIP switch is used to setup two-wire/ four-wire operation mode and to enable internal termination for RS-422/485 port, and to configure RS-232 port to operate in either DTE or DCE mode.

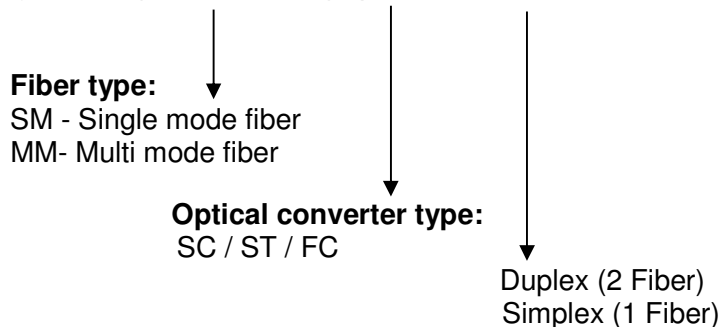
FS-120 series are available in type of compact stand-alone box that can meet versatile field installation demands like on desktop and wall-mount.

FEATURES

- ◆ Convert one RS-232 and/or one RS-422/485
- ◆ Complies with EIA/TIA-232, EIA/TIA-574 and CCITT V.28 standards
- ◆ Complies with EIA/TIA-422, EIA/TIA-485
- ◆ Distance Up to 5km with multimode fiber
- ◆ Distance Up to 120km with single mode fiber
- ◆ Clear LED Indications
- ◆ MTBF > 50000 Hours
- ◆ Compact size: 68×101×30mm

ORDERING INFORMATION

FS – 120 – SM – SC – 2F



SPECIFICATIONS

RS-232

Data Format	Asynchronous Serial Data
Data Rate	Up to 115.2Kbps
Connector Type	DB-9

RS-422/485

Data Format	Asynchronous Serial Data
Data Rate	Up to 128Kbps
Distance	1200m
Connector Type	5-pin Phoenix Connector with 3.5mm Pitch

Optical Interface

Single Mode Fiber	9/125 μ m Wave length: 1310nm/1550nm
Multimode Fiber	50/125, 62.5/125 μ m Wave length: 1310nm
Connector Type	SC/ST/FC

Power

Power	Ext. power supply DC 12V, 1A
-------	------------------------------

Environment

Ambient Temperature	-20 °C ~ 75 °C
Storage Temperature	-20 °C ~ 85 °C
Humidity	0 ~ 95% (Non-condensing)

Dimension

Cassette	60 x 100 x 30.5 mm (W x D x H)
Weight (Standalone)	80g

